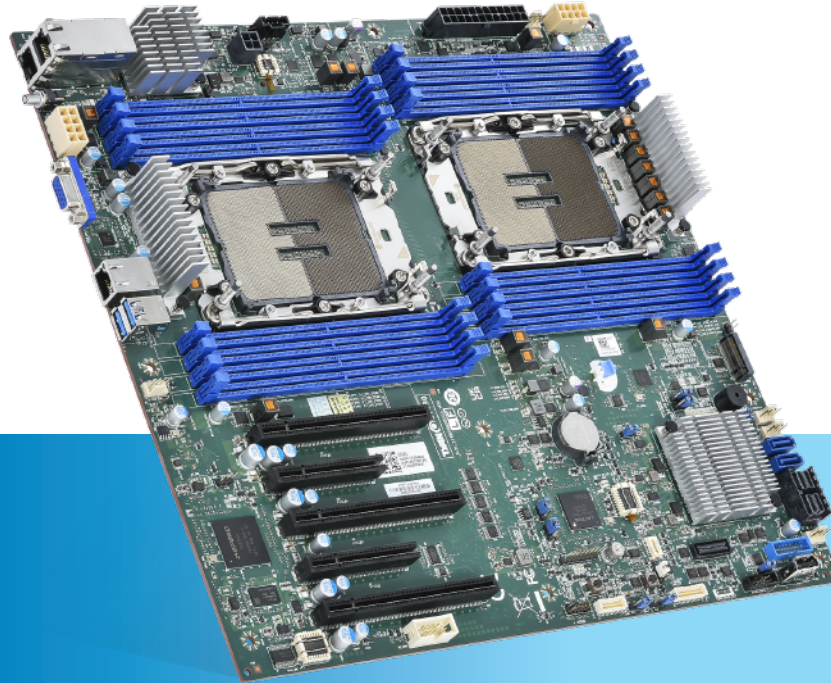
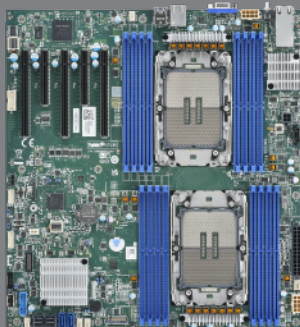


4RD GEN. INTEL XEON SCALABLE PROCESSORS



Tempest HX S7130

S7130GMR / S7130GM2NR-2T



■ Intel® C741

Dual-socket mainstream server board

- (2) LGA4677
- (8+8) Support up to 2,048GB RDIMM/3DS RDIMM DDR5 4800 memory
- (2) PCIe Gen.5 x16 slot + (3) PCIe Gen.5 x8 slot
- (2) 10GbE + (1) IPMI ports or (1) IPMI port
- EEB 12"x13" (305x330mm)

■ Summary Table

SKU	Storage	Networking
S7130GMRE	(10) SATA+ (1) M.2	(1) IPMI
S7130GM2NRE-2T	(10) SATA+ (1) M.2	(2)10GBase-T + (1) IPMI



Tempest HX S7130

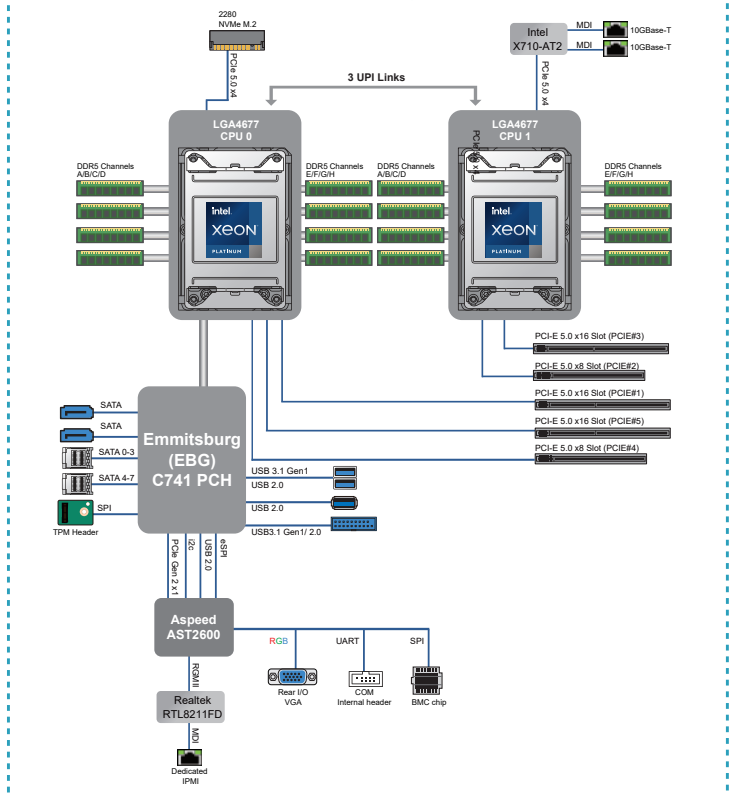
S7130GMR

TYAN

Specifications

Processor	Q'ty / Socket Type	(2) LGA4677
	Supported CPU Series	Intel Xeon Scalable Processors
	Thermal Design Power Wattage	Max up to 270W (TDP)
Chipset	PCH	Intel C741
Memory	Supported DIMM Q'ty	(8)+(8) DIMM slots
	DIMM Type / Speed	DDR5 4800 MHz (1DPC)
	Capacity	Up to 2,048GB RDIMM DDR5 4800 *Follow latest Intel DDR5 Memory POR
	Memory channel	8 Channels per CPU
Expansion Slots	PCIe	Up to 2,048GB RDIMM DDR5 4800 *Follow latest Intel DDR5 Memory POR
	Port Q'ty	(1) GbE dedicated for IPMI
LAN	PHY	Realtek RTL8211F
	Storage	Connector
Controller		Intel C741
Speed		6Gb/s
RAID		RAID 0/1/10/5 (Intel RSTe)
Storage	Connector (M.2)	(10) SATA
	Graphic	Connector type
Resolution		Up to 1920x1200
Chipset		Aspeed AST2600
Input /Output	USB	(1) USB2.0 TYPE-A conn. / (1) USB3.1 Gen.1 header (1) USB3.1 Gen.1 ports
	COM	(1) DB-9 COM Connector
	VGA	(1) D-Sub 15-pin port
	RJ-45	(1) GbE port dedicated for IPMI
	Others	(1) ID button
TPM (Optional)	TPM Support	Please refer to our TPM supported list.
	Interface	SPI
System Monitoring	Chipset	Aspeed AST2600
	Voltage	Monitors voltage for CPU, memory, chipset & power supply
	Temperature	Monitors temperature for CPU, memory & system environment
	LED	Over temperature warning indicator / Fan & PSU fail LED indicator / Over voltage warning indicator
System Monitoring	Others	Watchdog timer support
	Onboard Chipset	Onboard Aspeed AST2600
Server Management	Brand / ROM size	AMI / 32MB
	Feature	Hardware Monitor / FAN speed control automatic / Boot from USB device/PXE via LAN/Storage / Console Redirection / SMBIOS 3.3/PnP/Wake on LAN / ACPI 6.2 / ACPI sleeping states S0,S1,S5
Physical Dimension	Form Factor	EATX
	Board Dimension	12" x 13" (305 x 330mm)
Operating System	OS supported list	Please refer to our AVL support lists.
	FCC (SDoC)	Class A
Regulation	CE (DoC)	Class A
	RCM	Class A
	VCCI	Class A

Block Diagram



Operating Environment	Operating Temp.	10° C ~ 35° C (50° F ~ 95° F)
	Non-operating Temp.	-40° C ~ 70° C (-40° F ~ 158° F)
RoHS	In/Non-operating Humidity	90%, non-condensing at 35° C
	RoHS 6/6 Compliant	Yes

(Specifications are subject to change without notice. Items pictured may only be representative.)

MiTAC Computing Technology Corp

USA
Tel: +1-510-651-8868
Fax: +1-510-651-7688

Taiwan
Tel: +886-3-327-5988
Fax: +886-3-327-6312

China
Shanghai Tel: +86-021-61431188 #1361
China Tel: +86-010-62381108 #2485

Japan
Tel: +81-3-3769-8311
Fax: +81-3-3769-8328

EMEA
Tel: +44 07540328523
Email: robin.daunter@tyan.com

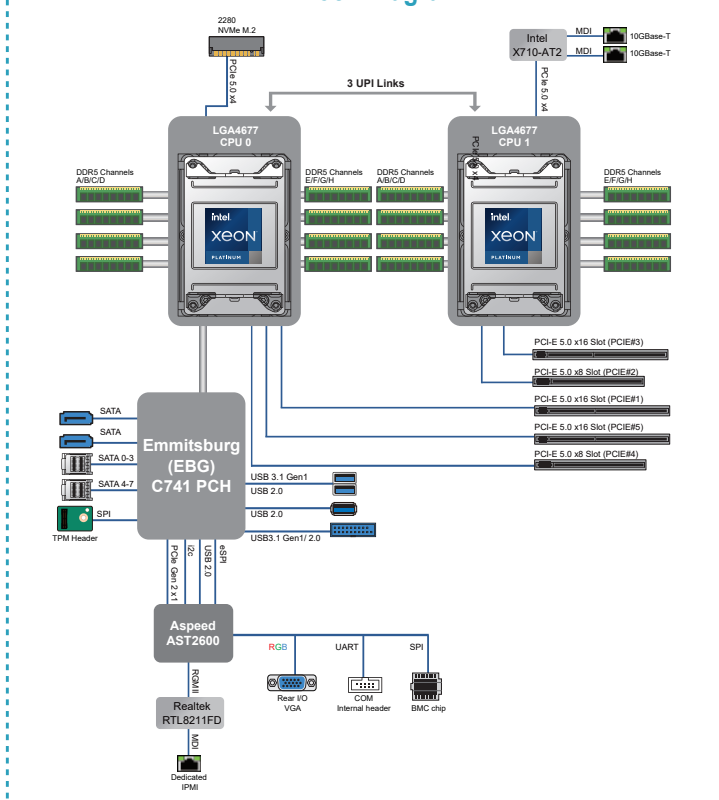


Tempest HX S7130

S7130GM2NR-2T

Processor	Q'ty / Socket Type	(2) LGA4677	
	Supported CPU Series	Intel Xeon Scalable Processors	
	Thermal Design Power Wattage	Max up to 270W (TDP)	
Chipset	PCH	Intel C741	
Memory	Supported DIMM Q'ty	(8)+(8) DIMM slots	
	DIMM Type / Speed	DDR5 4800 MHz (1DPC)	
	Capacity	Up to 2,048GB RDIMM DDR5 4800 *Follow latest Intel DDR5 Memory POR	
	Memory channel	8 Channels per CPU	
	Memory voltage	1.1V	
Expansion Slots	PCIe	Up to 2,048GB RDIMM DDR5 4800 *Follow latest Intel DDR5 Memory POR	
LAN	Port Q'ty	(2) 10GbE ports + (1) GbE dedicated for IPMI	
	Controller	Intel X710-AT2	
Storage	SATA	PHY	Realtek RTL8211F
		Connector	Realtek RTL8211F
		Controller	Intel C741
		Speed	6Gb/s
	RAID	RAID 0/1/10/5 (Intel RSTe)	
NVMe	Connector (M.2)	(1) 2280 (by PCIe 4 interface)	
Graphic	Connector type	D-Sub 15-pin	
	Resolution	Up to 1920x1200	
	Chipset	Aspeed AST2600	
Input /Output	USB	(1) USB2.0 TYPE-A conn. / (1) USB3.1 Gen.1 header (1) USB3.1 Gen.1 ports	
	COM	(1) DB-9 COM Connector	
	VGA	(1) D-Sub 15-pin port	
	RJ-45	(2) 10GbE ports + (1) GbE dedicated for IPMI	
	Others	(1) ID button	
TPM (Optional)	TPM Support	Please refer to our TPM supported list.	
	Interface	SPI	
System Monitoring	Chipset	Aspeed AST2600	
	Voltage	Monitors voltage for CPU, memory, chipset & power supply	
	Temperature	Monitors temperature for CPU, memory & system environment	
	LED	Over temperature warning indicator / Fan & PSU fail LED indicator / Over voltage warning indicator	
	Others	Watchdog timer support	
Server Management	Onboard Chipset	Onboard Aspeed AST2600	
BIOS	Brand / ROM size	AMI / 32MB	
	Feature	Hardware Monitor / FAN speed control automatic / Boot from USB device/PXE via LAN/Storage / Console Redirection / SMBIOS 3.0/PnP/Wake on LAN / ACPI 6.1 / ACPI sleeping states S0, S5	
Physical Dimension	Form Factor	EATX	
	Board Dimension	12" x 13" (305 x 330mm)	
Operating System	OS supported list	Please refer to our AVL support lists.	
Regulation	FCC (SDoC)	Class A	
	CE (DoC)	Class A	
	RCM	Class A	
	VCCI	Class A	

Block Diagram



Operating Environment	Operating Temp.	10° C ~ 35° C (50° F ~ 95° F)
	Non-operating Temp.	- 40° C ~ 70° C (-40° F ~ 158° F)
	In/Non-operating Humidity	90%, non-condensing at 35° C
RoHS	RoHS 6/6 Compliant	Yes

(Specifications are subject to change without notice. Items pictured may only be representative.)

