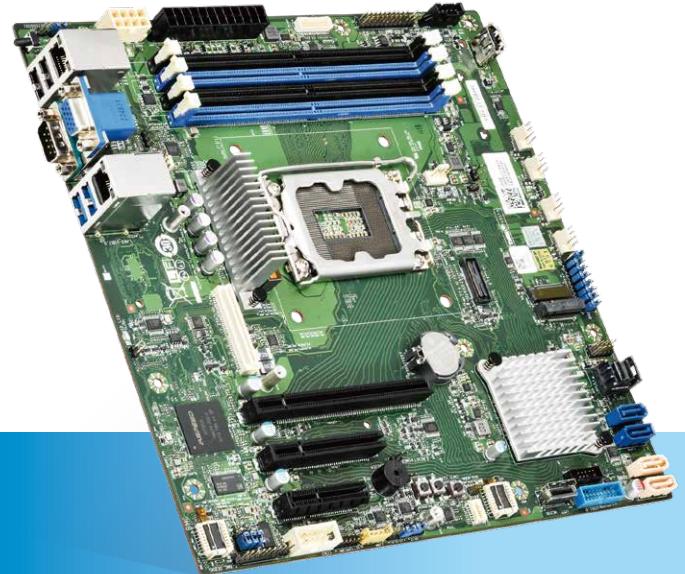
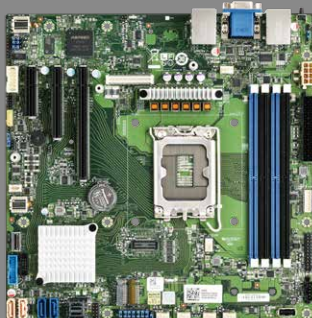


INTEL XEON E-2400 PROCESSOR



S5573

S5573GMNR-HE / S5573GM3NR-2V-HE



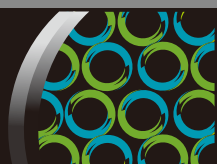
■ Intel® C266

Single-Socket Intel Raptor Lake-E Board

- (1) LGA1700
- (4) DDR5 ECC UDIMM 4800 (1DPC), Up to 128GB UDIMM
- (1) PCIe Gen.3 x4 slot (w/ x2 link) / (1) PCIe Gen.4 x8 slot (w/ x4 link) / (1) PCIe Gen.5 x16 slot
- (2) 25GbE ports (from LAN Mezzanine card)+ (1) GbE ports + (1) GbE dedicated for IPMI
- Proprietary (9.6" x 9.6")

■ Summary Table

SKU	Storage	Networking
S5573GMNR-HE	(8) SATA + (2) M.2 NVMe	(1) 1000Base-T
S5573GM3NR-2V-HE	(8) SATA + (2) M.2 NVMe	(1) 1000Base-T + (2) 25GbE ports

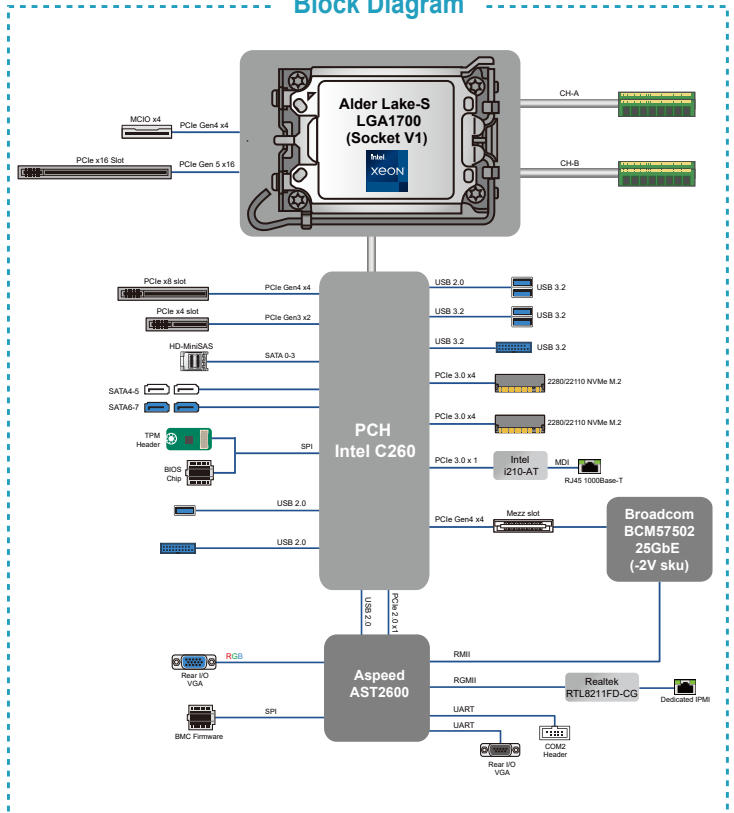


S5573

TYAN S5573GMNR-HE

Processor	Q'ty / Socket Type	(1) LGA1700	
	Supported CPU Series	Intel Xeon E-2400	
	Thermal Design Power Wattage	Max up to 95W (TDP)	
Chipset	PCH	Intel C266	
Memory	Supported DIMM Q'ty	(4) DIMM slots	
	DIMM Type / Speed	DDR5 ECC UDIMM 4800 (1DPC)	
	Capacity	Up to 128GB UDIMM	
	Memory channel	2 Channels per CPU	
Expansion Slots	Memory voltage	1.1V	
	PCIe	(1) PCIe Gen.3 x4 slot (w / x2 link) / (1) PCIe Gen.4 x8 slot (w / x4 link) / (1) PCIe Gen.5 x16 slot	
LAN	Others	(1) M.2 PCIe x4 connector (PCIe Gen.4 x4)	
	Port Q'ty	(1) GbE + (1) PHY	
LAN	Controller	Intel I210	
	PHY	Realtek RTL8211F	
Storage	SATA	Connector	(2) SATA-DOM / (2) SATA / (1) Mini-SAS HD for (4) SATA ports
		Controller	Intel C266
		Speed	6Gbps
	RAID	RAID 0/1/10/5 (Intel RSTe)	
NVMe	Connector (M.2)	(2) 22110/2280 (by PCIe Gen.4 interface)	
Graphic	Connector type	D-Sub 15-pin	
	Chipset	Aspeed AST2600	
Input /Output	USB	(1) USB2.0 port / (1) Dual Port USB2.0 header / (1) USB2.0 connector (Type-A) / (1) USB3.2 Gen.1 header / (1) USB3.2 Gen.1 ports	
	COM	(1) header	
	VGA	(1) D-Sub 15-pin port	
	RJ-45	(1) GbE port + (1) GbE dedicated for IPMI	
	SATA	(2) SATA-III connectors / (1) Mini-SAS HD (SFF-8643) connector / (2) SATA-DOM connectors	
	Power	(1) 2x4 Power input connector	
TPM (Optional)	TPM Support	Please refer to our TPM supported list.	
	Interface	SPI	
System Monitoring	Chipset	Aspeed AST2600	
	Fan	Total (6) 4-pin headers	
	Voltage	Monitors voltage for CPU, memory, chipset & power supply	
	Temperature	Monitors temperature for CPU & memory	
LED	LED	Fan fail LED indicator / Over temperature warning indicator / Fan & PSU fail LED indicator	
	LED	Fan fail LED indicator / Over temperature warning indicator / Fan & PSU fail LED indicator	
Server Management	Onboard Chipset	Onboard Aspeed AST2600	
BIOS	Brand / ROM size	AMI / 32MB	
	Feature	Hardware Monitor / Boot from USB device/PXE via LAN/Storage / Console Redirection / User Configurable FAN PWM Duty Cycle / SMBIOS 3.5.0/PhP/Wake on LAN / ACPI 6.4	
Physical Dimension	Form Factor	Micro ATX	
	Board Dimension	9.6" x 9.6" (243.8 x 243.8mm)	
Operating System	OS supported list	Please refer to our AVL support lists.	
Regulation	FCC (SDoC)	Class A	
	CE (DoC)	Class A	
	BSMI	Yes	
Operating Environment	Operating Temp.	10° C ~ 35° C (50° F ~ 95° F)	
	Non-operating Temp.	- 40° C ~ 70° C (-40° F ~ 158° F)	
	In/Non-operating Humidity	90%, non-condensing at 35° C	
RoHS	RoHS 6/6 Complaint	Yes	

Block Diagram



(Specifications are subject to change without notice. Items pictured may only be representative.)

MiTAC Computing Technology Corp

USA
Tel: +1-510-651-8868
Fax: +1-510-651-7688

Taiwan
Tel: +886-3-327-5988
Fax: +886-3-327-6312

China
Shanghai Tel: +86-021-61431188 #1361
China Tel: +86-010-62381108 #2485

Japan
Tel: +81-3-3769-8311
Fax: +81-3-3769-8328

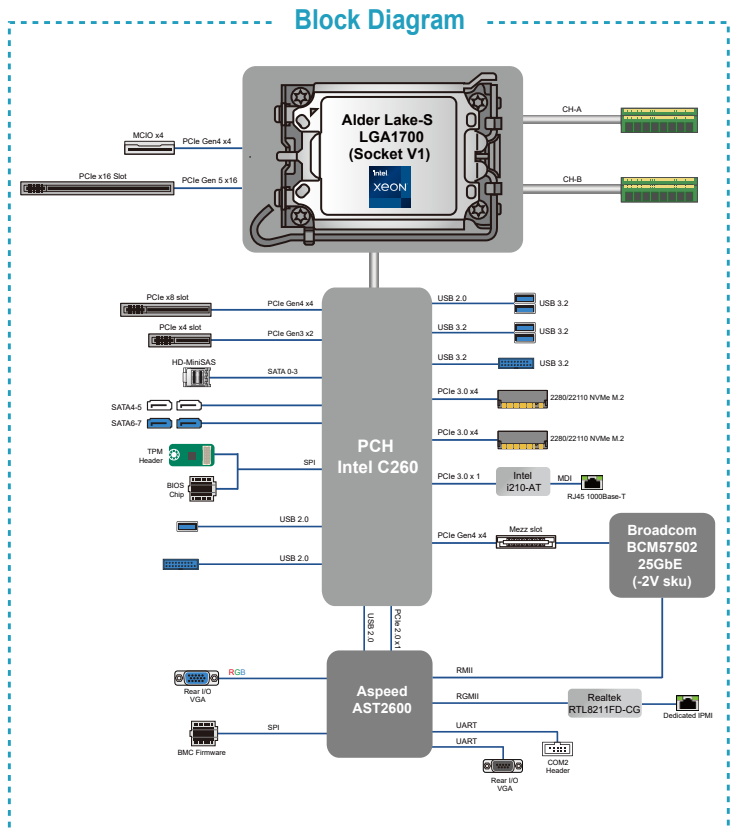
EMEA
Tel: +44 07540328523
Email: robin.daunter@tyan.com



S5573

TYAN S5573GM3NR-2V-HE

Processor	Q'ty / Socket Type	(1) LGA1700	
	Supported CPU Series	Intel Xeon E-2400	
	Thermal Design Power Wattage	Max up to 95W (TDP)	
Chipset	PCH	Intel C266	
Memory	Supported DIMM Q'ty	(4) DIMM slots	
	DIMM Type / Speed	DDR5 ECC UDIMM 4800 (1DPC)	
	Capacity	Up to 128GB UDIMM	
	Memory channel	2 Channels per CPU	
	Memory voltage	1.1V	
Expansion Slots	PCIe	(1) PCIe Gen.3 x4 slot (w / x2 link) / (1) PCIe Gen.4 x8 slot (w / x4 link) / (1) PCIe Gen.5 x16 slot	
	Others	(1) M.2 connector (PCIe Gen.4 x4)	
LAN	Port Q'ty	(2) 25GbE ports (from LAN Mezzanine card) + (1) GbE ports + (1) GbE dedicated for IPMI	
	Controller	Broadcom BCM57502 / Intel I210-AT	
Storage	SATA	PHY	Realtek RTL8211F
		Connector	(2) SATA-DOM / (2) SATA / (1) Mini-SAS HD for (4) SATA ports
		Controller	Intel C266
		Speed	6Gb/s
	RAID	RAID 0/1/10/5 (Intel RSTe)	
NVMe	Connector (M.2)	(2) 22110/2280 (by PCIe Gen.4 interface)	
Graphic	Connector type	D-Sub 15-pin	
	Chipset	Aspeed AST2600	
Input /Output	USB	(1) USB2.0 port / (1) Dual Port USB2.0 header / (1) USB2.0 connector (Type-A) / (1) USB3.2 Gen.1 header / (1) USB3.2 Gen.1 ports	
	COM	(1) header	
	VGA	(1) D-Sub 15-pin port	
	RJ-45	(1) GbE port + (1) GbE dedicated for IPMI	
	SATA	(2) SATA-III connectors / (1) Mini-SAS HD (SFF-8643) connector / (2) SATA-DOM connectors	
	Power	(1) 2x4 Power input connector	
	TPM (Optional)	TPM Support	Please refer to our TPM supported list.
System Monitoring	Interface	SPI	
	Chipset	Aspeed AST2600	
	Fan	Total (6) 4-pin headers	
	Voltage	Monitors voltage for CPU, memory, chipset & power supply	
Server Management	Temperature	Monitors temperature for CPU & memory	
	LED	Fan fail LED indicator / Over temperature warning indicator / Fan & PSU fail LED indicator	
	Onboard Chipset	Onboard Aspeed AST2600	
BIOS	Brand / ROM size	AMI / 32MB	
	Feature	Hardware Monitor / Boot from USB device/PXE via LAN/Storage / Console Redirection / User Configurable FAN PWM Duty Cycle / SMBIOS 3.5.0/PhP/Wake on LAN / ACPI 6.4	
Physical Dimension	Form Factor	Micro ATX	
	Board Dimension	9.6" x 9.6" (243.8 x 243.8mm)	
Operating System	OS supported list	Please refer to our AVL support lists.	
Regulation	FCC (SDoC)	Class A	
	CE (DoC)	Class A	
	BSMI	Yes	
Operating Environment	Operating Temp.	10° C ~ 35° C (50° F~ 95° F)	
	Non-operating Temp.	-40° C ~ 70° C (-40° F ~ 158° F)	
	In/Non-operating Humidity	90%, non-condensing at 35° C	
RoHS	RoHS 6/6 Compliant	Yes	



(Specifications are subject to change without notice. Items pictured may only be representative.)

